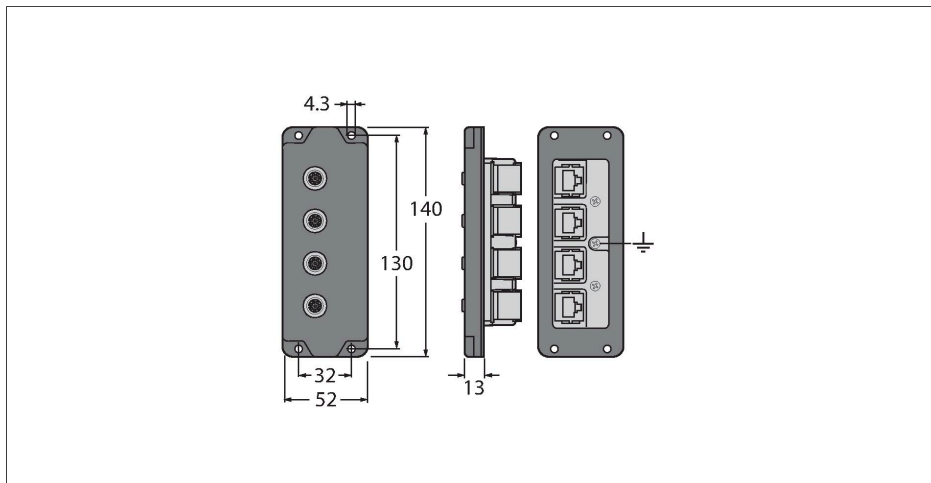


# BIC-84-E424

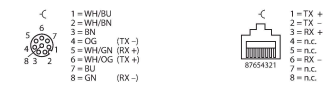
## – Wall/panel feed-through



### Features

- Wall/Panel feedthrough, 4-port
- 8-pin, M12 (IP67)
- RJ45 (IP20)

### Contact assignment



### Technical data

Type	BIC-84-E424
ID	U8712
Connector A	Female, M12 × 1
Number of Pins	4
Mounting type	front panel mounting
Protection class	IP67
Connector B	RJ45
Network protocol	Ethernet
<b>Mechanical and chemical properties</b>	
Ambient temperature range (stationary)	-40...+80 °C