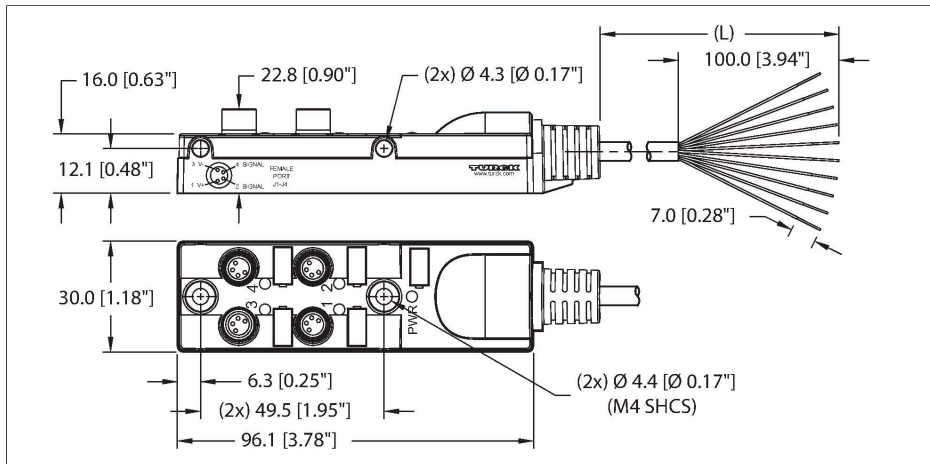


# TB-4M8M-4-5

## Passive Actuator/Sensor Junction Box, 4 Ports – M8 × 1 I/O Port with Integral Homerun Cable



### Technical data

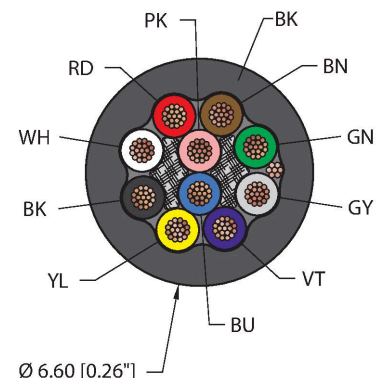
Type	TB-4M8M-4-5
ID	UX00410
Distributed I/O	Junction box, 4, with integral homerun cable
Housing	Plastic, PA 6 GF30, Black
I/O port	Female, M8 × 1
Design specification	acc. to IEC 61076-2-104
Number of Pins	4
Contacts	Brass, CuZn, Gold-plated
Contact carriers	Plastic, PA 4.6 GF30, Black
Seal	O ring, Plastic, FKM/FPM
Flange housing	Brass, CuZn, Nickel-plated
Mechanical lifespan	> 100 Mating cycles
Pollution degree	3
Protection class	IP67, IP68, IP69, IP69K
	NEMA: 1, 3, 4, 6P, 12
Group terminal	Cable, Side output
Cable	
Cable ID	RF50836
Number of cores	10
Cable diameter	Ø 6.6 mm
Cable length	5 m, (+ 50 mm or 4 % of the length/-0.0, depending on which value is larger)
Cable jacket	PVC, Black
Shielding	Aluminum/polyester (IN)
Drain wire cross section	26 AWG, TC (tinned copper)

### Features



- Housing material: Nylon
- Housing color: black
- Protection class IP67
- RoHS conform
- cULus listed
- I/O port (number of pins): 3-pin + PE
- General purpose cable
- PVC jacket, black, shielded, 10 × 24 AWG
- -40 °C cold bending strength
- Fire classes: UL1061, CSA FT1
- Cable length: 5 m

### Cable Cross-Section



### Contact assignment

I/O connector

**Technical data**



Conductor diameter	0.044 "
Conductor material	TC (tinned copper)
Core insulation	PVC
Core cross-section	10 x 24 AWG [Similar to 0.25 mm <sup>2</sup> ]
Arrangement of strands	19 x 36 AWG
Core colors	BU, PK, BN, GN, GY, VT, YL, BK, WH, RD
<b>Electrical properties at +20 °C</b>	
Rated voltage	30 VDC
Current	2 A per signal contact, total current 6 A
<b>Mechanical and chemical properties</b>	
Bending radius (stationary installation)	≥ 5 x Ø
Bending radius (flexible use)	≥ 15 x Ø
Cold flexural strength	-40 °C
Ambient temperature range (stationary)	-40 °C...+85 °C
Ambient temperature range (In motion)	5 °C...+85 °C
Ambient temperature during installation	-10 °C...+85 °C
<b>Approval</b>	
Approvals	CE RoHS
<b>Note</b>	
Using the cable in extreme temperatures, when it is exposed to certain chemicals and above the nominal cycle speed or below the nominal bending radius of the cable can reduce the flexural strength.	
- We reserve the right to make technical modifications without prior notice.	

## Scope of delivery

Device	Quantity	Description
Junction boxes	1	Passive actuator/sensor junction box
VS-M12-BK	2	Closure caps for M12 female connectors
KS9/20	5	Labels

## Accessories

Ident-No.	Designation	Description
6900197	CK12-0	Field-wireable female M23, 12-pin, straight
6931889	CS12-0	Field-wireable male M23, 12-pin, straight
6931780	CKCM12-11-5/S90	Connection cable, M23 female, straight, 12-pin, 5 m*
6931781	CKCM12-11-10/S90	Connection cable, M23 female, straight, 12-pin, 10 m*
6931885	CKCWM12-11-5/S90	Connection cable, M23 female, angled, 12-pin, 5 m*
6931886	CKCWM12-11-10/S90	Connection cable, M23 female, angled, 12-pin, 10 m*
6931782	CSCM-CK-CM12-11-5/S90	Extension cable, male M23 - female M23, straight, 12-pin, 5 m *
6931783	CSCM-CK-CM12-11-10/S90	Extension cable, male M23 - female M23, straight, 12-pin, 10 m *
6931887	CSCM-CK-CWM12-11-5/S90	Extension cable, male M23 straight - female M23 angled, 12-pin, 5 m *
6931888	CSCM-CK-CWM12-11-10/S90	Extension cable, male M23 straight - female M23 angled, 12-pin, 10 m *
6625616	RKC5T-2-RSC5T/TXL	Actuator/sensor cable, female M12 - male M12, straight, 5-pin, 2 m *
6936055	VS-M12-BK	Closure caps for M12 female connectors
8015002	KS9/20	Labels

\* Other lengths available on request

## Circuit Diagram

