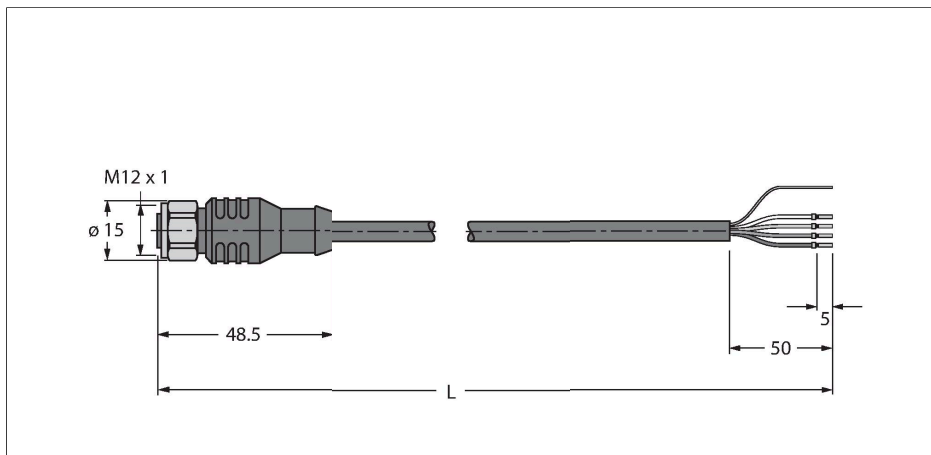


RKCV 5732-25M/CS15915

Cable for RFID Application in the Food Industry – Connection Cable



Features

- Jacket material: TPE
- Jacket color: anthracite
- Power and data pair: AWG 2/22
- End open
- M12 female, straight, stainless steel
- Cable length: 25 m

Contact assignment



Technical data

| | |
|---------------------------|--|
| Type | RKCV 5732-25M/CS15915 |
| ID | UX02400 |
| Remark to product | Stranded wire color assignment equivalent to S2503 |
| Connector A | Female, M12 × 1, Straight, A-coded |
| Contacts | Metal, CuZn, Gold-plated |
| Contact carriers | Plastic, TPU, Black |
| Connector body | Plastic, TPU, Black |
| Coupling nut/screw | Stainless Steel, V4A |
| Seal | Plastic, FPM/FKM |
| Tightening torque (range) | 0.8 ... 1 Nm (observe max. torque of mating connector!) |
| Mechanical lifespan | > 100 Mating cycles |
| Pollution degree | 3 |
| Protection class | IP68, Only in screwed condition |
| Cable | |
| Cable diameter | Ø 8.51 mm |
| Cable length | 25 m |
| Cable jacket | TPE, Anthracite |
| Shielding | yes |
| Core insulation | PE (Data), PVC (Power) |
| Data cable cores | |
| Core cross-section | 2 x 0.34 mm ² |
| Arrangement of strands | 19 x 0.15 mm |
| Power cable cores | |
| Core cross-section | 2x 0.34 mm ² |

Technical data

| | |
|---|-----------------------------|
| Litz wire arrangement | 19 x0.15 mm |
| Core colors | Power: RD, BK, Data: WH, BU |
| Electrical properties at +20 °C | |
| Rated voltage | 250 V |
| Current | 4 A |
| Mechanical and chemical properties | |
| Bending radius (stationary installation) | ≥ 5 x Ø |
| Bending radius (flexible use) | ≥ 15 x Ø |
| Ambient temperature range (stationary) | -40...+80 °C |
| Ambient temperature range (In motion) | -40...+80 °C |
| Other Features | |
| Qualified for drag chain use | no |
| Halogen-free | no |