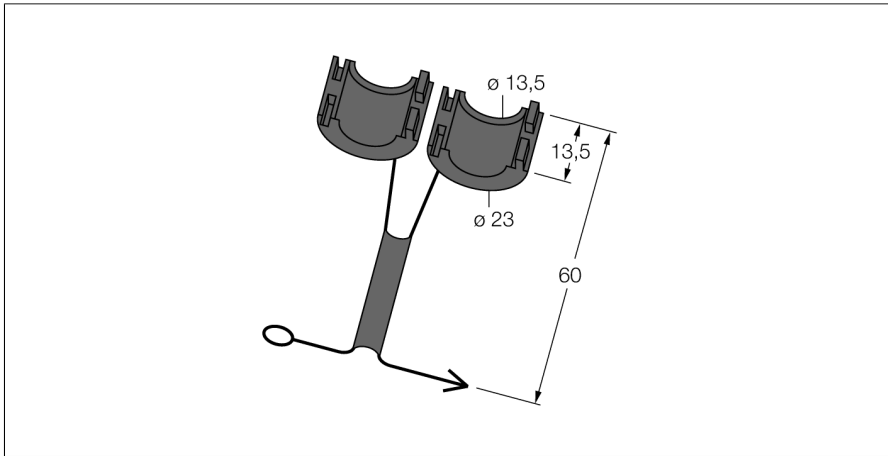
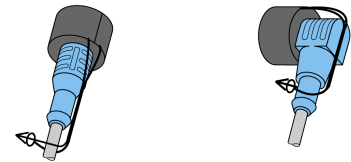


# Accesorii etrieră de siguranță SC-M12/3GD



- etrieră de siguranță pentru senzori cu conectori M12 x 1 și aprobare conform ATEX II 3 G sau II 3 D
- pentru zona 2 (gaz) sau zona 22 (pulbere)
- piulițe de fixare cu un diametru de până la 11 mm
- etichetă de siguranță pe care scrie "nicht unter Spannung trennen / do not separate when energized" (nu deconectați sub tensiune)
- conectare de siguranță pe cablu



Tip	SC-M12/3GD
Nr. ID	6900390
Dimensiuni	13.5mm
Materialul carcasei	Plastic, PA
Temperatura mediului	-25...+90 °C

### General information

When operating non-intrinsically safe equipment in zone 2 (gas) or zone 22 (dust) it is required to protect the sensor against manual disconnection (without any tools). This can be ensured by using the captive safety clip.

Devices which are operated in explosion protected areas, may only be installed, connected and operated by trained and qualified staff. The operator must have knowledge of protection classes, directives and regulations concerning equipment designed for use in explosion hazardous areas.

### Mounting:

The two housing parts are put around the coupling nut and plugged together. Please note that both parts must latch. The captive safety clip is then mounted firmly to the cable.