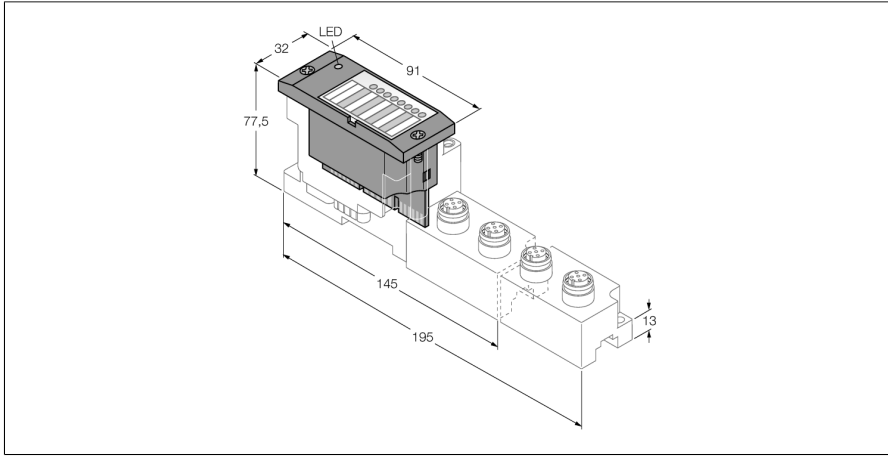


BL67 electronic module

2 Analog Inputs for Thermoelements

BL67-2AI-TC



- Kullanılan fieldbus ve bağlantı teknolojisinden bağımsız
- Koruma sınıfı IP67
- LEDs indicate status and diagnostic
- Electronics galvanically separated from the field level via optocouplers
- 2 analog inputs for the connection of thermoelements
- types B, E, J, K, N, R, S, T
- Cold-junction compensation via Pt1000 probe in a special connector

İşlevsel prensip

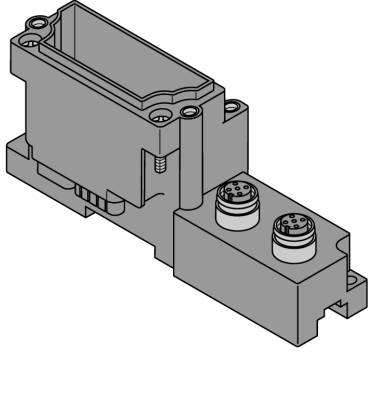
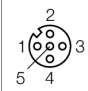
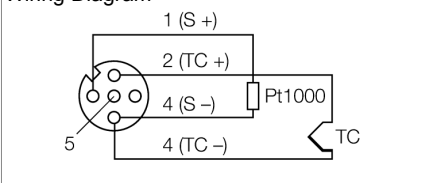
BL67 electronic modules are plugged on the purely passive base modules which in turn are connected to the field devices. The separation of connection level and electronics simplifies maintenance considerably. Flexibility is enhanced because the user can choose between base modules with different connection technologies.

The electronic modules are completely independent of the higher level fieldbus through the use of gateways.

Tip	BL67-2AI-TC
Tanit. no.	6827178
Kanal sayısı	2
Besleme gerilimi	24 VDC
Nominal voltage V _n	24 VDC
Alan beslemesinden gelen nominal akım	≤ 30 mA
Modül veri yolundan gelen nominal akım	≤ 35 mA
Güç dağılımı, tipik	≤ 1 W
Girişler	
Giriş tipi	Tür B, E, J, K, N, R, S, T
Çıkış bağlantısı	M12
Gerilim çözünürlük	± 50 mV: < 2 µV ± 100 mV: < 4 µV ± 500 mV: < 20 µV ± 1000 mV: < 50 µV
Doğrusallık	≤ 0.1 %
23°C'de temel arıza sınırı	< 0.2 %
Tekrarlanabilirlik	0.05 %
Sıcaklık katsayısı	< tam ölçeğin 300 ppm/°C'si
Çözünürlük	16 Bit
Ölçülen değer ekranı	16 bit signed integer 12 bit full range left justified
Tanımlama bayt sayısı	2
Parametre bayt sayısı	2

Boyutlar (W x L x H)	32 x 91 x 59 mm
Onaylar	CE, cULus
Ortam sıcaklığı	-40...+70 °C
Saklama sıcaklığı	-40...+85 °C
Bağıl nem	%5...95 (dahili), seviye RH-2, yoğuşmasız (45°C'de depolandığında)
Titreşim testi	EN 61131 uyarınca
- up to 5 g (at 10 to 150 Hz)	for mounting on DIN rail no drilling according to EN 60715, with end bracket
- up to 20 g (at 10 up to 150 Hz)	for mounting on base plate or machinery Therefore every second module has to be mounted with two screws each.
Darbe testi	IEC 60068-2-27 uyarınca
Düşme ve devrilme	acc. to IEC 68-2-31 and free fall to IEC 68-2-32
Elektromanyetik uyumluluk	EN 61131-2 uyarınca
IP Derecesi	IP67
Tightening torque fixing screw	0.9...1.2 Nm

Compatible base modules

Ölçekli çizim	Type	Pin configuration
	<p>BL67-B-2M12 6827186 2 x M12, 5-pole, female, a-coded</p> <p>Comments Suitable connector with a Pt1000 for the cold-junction compensation: BL67-WAS5-THERMO Ident-No. 6827197</p>	<p>Tel ataması</p>  <ul style="list-style-type: none"> 1 = S + 2 = TC + 3 = GND 4 = TC - / S - 5 = PE <p>Wiring Diagram</p> 

LED display

LED	Color	Status	Meaning
D		OFF	No error message or diagnostics active.
	RED	ON	Failure of module bus communication. Check if more than 2 adjacent electronic modules are pulled. Relevant modules are located between gateway and this module.
	RED	FLASHING (0.5 Hz)	Upcoming module diagnostics
AI channels 0 / 1			Without function

Data mapping

DATA	BYTE	Bit 7	Bit 6	Bit 5	Bit 4	Bit 3	Bit 2	Bit 1	Bit 0
Input	n	AI 0 LSB							
	n+1	AI 0 MSB							
	n+2	AI 1 LSB							
	n+3	AI 1 MSB							

n = Offset of input data; depending on extension of station and the corresponding fieldbus.

m = Offset of output data; depending on extension of station and the corresponding fieldbus.

With PROFIBUS, PROFINET and CANopen, the I/O data of this module is localized within the process data of the whole station via the hardware configuration tool of the fieldbus master.

With DeviceNet™, EtherNet/IP™ and Modbus TCP a detailed mapping table can be created with the TURCK configuration tool I/O-ASSISTANT.