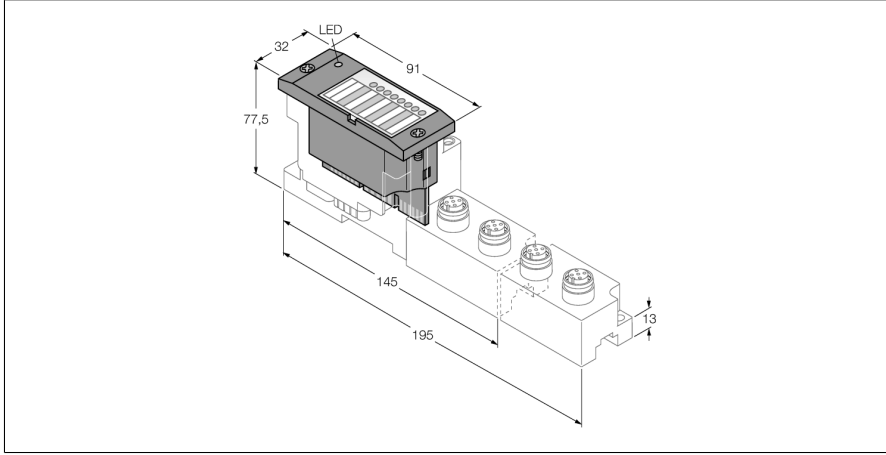


BL67 electronic module

8 Digital Inputs, NPN

BL67-8DI-N



- Kullanılan fieldbus ve bağlantı teknolojisinden bağımsız
- Koruma sınıfı IP67
- LEDs indicate status and diagnostic
- Electronics galvanically separated from the field level via optocouplers
- 8 digital inputs, 24 VDC
- NPN switching

İşlevsel prensip

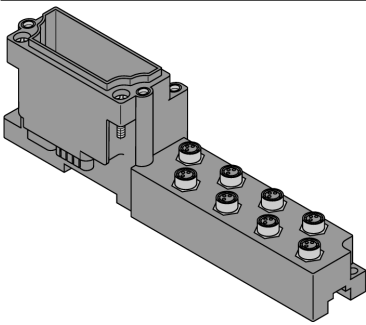
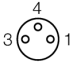
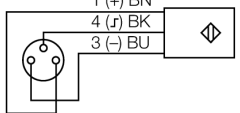
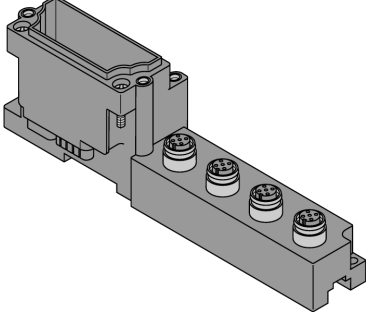
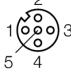
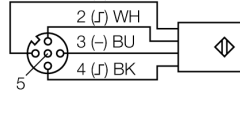
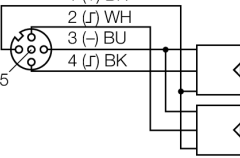
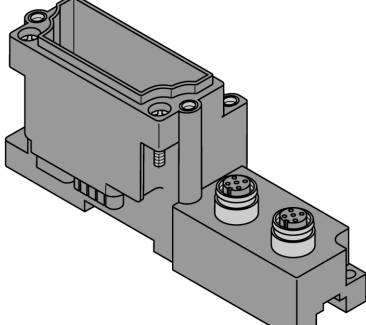


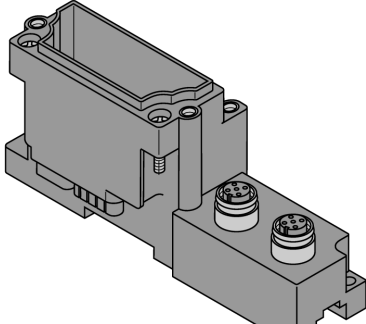


BL67 electronic modules are plugged on the purely passive base modules which in turn are connected to the field devices. The separation of connection level and electronics simplifies maintenance considerably. Flexibility is enhanced because the user can choose between base modules with different connection technologies.

The electronic modules are completely independent of the higher level fieldbus through the use of gateways.

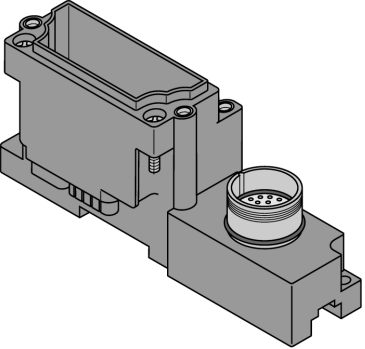

Tip	BL67-8DI-N
Tanit. no.	6827207
Kanal sayısı	8
Besleme gerilimi	24 VDC
Nominal voltage V _n	24 VDC
Alan beslemesinden gelen nominal akım	≤ 1 mA
Modül veri yolundan gelen nominal akım	≤ 30 mA
Max. sensor supply I _{sensor}	4 A electronically limited current supply via gateway or power feed
Güç dağılımı, tipik	≤ 1.3 W
Giriş tipi	NPN
Type of input diagnostics	group diagnostics
Düşük seviye sinyal gerilimi	> 7 V
Yüksek seviye sinyal gerilimi	< 5 V
Düşük seviye sinyal akımı	< 1.2 mA
Yüksek seviye sinyal akımı	> 1.5 mA
Giriş gecikmesi	0.25 ms
Elektrik yalıtımı	electronics for the field level
Çıkış bağlantısı	M8, M12, M23

Boyutlar (W x L x H)	32 x 91 x 59 mm
Onaylar	CE, cULus
Ortam sıcaklığı	-25...+70 °C
Sıcaklık değeri kaybı	
> 55°C Sabit ortam havası	Simultaneity factor 0.5
Saklama sıcaklığı	-40...+85 °C
Bağıl nem	%5...95 (dahili), seviye RH-2, yoğuşmasız (45°C'de depolandığında)
Titreşim testi	EN 61131 uyarınca
- up to 5 g (at 10 to 150 Hz)	for mounting on DIN rail no drilling according to EN 60715, with end bracket
- up to 20 g (at 10 up to 150 Hz)	for mounting on base plate or machinery Therefore every second module has to be mounted with two screws each.
Darbe testi	IEC 60068-2-27 uyarınca
Düşme ve devrilme	acc. to IEC 68-2-31 and free fall to IEC 68-2-32
Elektromanyetik uyumluluk	EN 61131-2 uyarınca
IP Derecesi	IP67
Tightening torque fixing screw	0.9...1.2 Nm

Compatible base modules

Ölçekli çizim	Type	Pin configuration
	<p>BL67-B-8M8 6827188 8 x M8, 3-pole, female</p> <p>Comments Bağlantı kablosunun eşleştirilmesi (örnek): PKG3M-2-PSW3M/TXL Tanım. No. 6625668</p>	<p>Tel ataması</p>  <p>1 = V_{SENS} 3 = GND 4 = Input A</p> <p>Wiring Diagram</p> 
	<p>BL67-B-4M12 6827187 4 x M12, 5-pole, female</p> <p>Comments Bağlantı kablosunun eşleştirilmesi (örnek): RKC4.4T-2-RSC4.4T/TXL Tanım. No. 6625608</p> <p>BL67-B-4M12-P 6827195 4 x M12, 5-pole, female, paired</p> <p>Comments Bağlantı kablosunun eşleştirilmesi (örnek): RKC4.4T-2-RSC4.4T/TXL Tanım. No. 6625608</p>	<p>Tel ataması</p>  <p>1 = V_{SENS} 2 = Input B 3 = GND 4 = Input A 5 = PE</p> <p>Wiring Diagram</p>  <p>Wiring diagram</p> 
	<p>BL67-B-2M12-8 6827336 2 x M12, 8 pimli, dışı</p> <p>Comments Sahada montaj yapılabilir konektör (örneğin): BS8181-0 Tanıt. no. 6901004</p>	<p>Pim ataması slot 0</p>  <p>1 = Signal 0 5 = V_{SENS} 2 = Signal 2 6 = V_{SENO} 3 = Signal 4 7 = GND 4 = Signal 6 8 = PE</p> <p>Pim ataması slot 1</p>  <p>1 = Signal 0 5 = V_{SENS} 2 = Signal 2 6 = V_{SENO} 3 = Signal 4 7 = GND 4 = Signal 6 8 = PE</p>
	<p>BL67-B-2M12-8-P 6827337 2 x M12, 8 pimli, dışı, eşleştirilmiş</p> <p>Comments Sahada montaj yapılabilir konektör (örneğin): BS8181-0 Tanıt. No. 6901004</p>	<p>Pim ataması slot 0</p>  <p>1 = Signal 0 5 = V_{SENS} 2 = Signal 1 6 = V_{SENO} 3 = Signal 4 7 = GND 4 = Signal 5 8 = PE</p> <p>Pim ataması slot 1</p>  <p>1 = Signal 2 5 = V_{SENS} 2 = Signal 3 6 = V_{SEN1} 3 = Signal 6 7 = GND 4 = Signal 7 8 = PE</p>

Compatible base modules

Ölçekli çizim	Type	Pin configuration												
	<p>BL67-B-1M23 6827213 1 x M23, 12-pole, female</p> <p>Comments field-wireable connector (for example): FW-M23ST12Q-G-LT-ME-XX-10 Ident-No. 6604070</p>	<p>Tel ataması</p>  <table border="0"> <tr> <td>1 = Signal 0</td> <td>7 = Signal 6</td> </tr> <tr> <td>2 = Signal 1</td> <td>8 = Signal 7</td> </tr> <tr> <td>3 = Signal 2</td> <td>9 = V_{SENS}</td> </tr> <tr> <td>4 = Signal 3</td> <td>10 = V_{SENS}</td> </tr> <tr> <td>5 = Signal 4</td> <td>11 = V_{SENS}</td> </tr> <tr> <td>6 = Signal 5</td> <td>12 = GND</td> </tr> </table>	1 = Signal 0	7 = Signal 6	2 = Signal 1	8 = Signal 7	3 = Signal 2	9 = V _{SENS}	4 = Signal 3	10 = V _{SENS}	5 = Signal 4	11 = V _{SENS}	6 = Signal 5	12 = GND
1 = Signal 0	7 = Signal 6													
2 = Signal 1	8 = Signal 7													
3 = Signal 2	9 = V _{SENS}													
4 = Signal 3	10 = V _{SENS}													
5 = Signal 4	11 = V _{SENS}													
6 = Signal 5	12 = GND													

LED display

LED	Color	Status	Meaning
D		OFF	No error message or diagnostics active.
	RED	ON	Failure of module bus communication. Check if more than 2 adjacent electronic modules are pulled. Relevant modules are located between gateway and this module.
	RED	FLASHING (0.5 Hz)	Upcoming module diagnostics
DI channels 0...7		OFF	Input status x = 0 (OFF)
	GREEN	ON	Input status x = 1 (ON)

Note:

The numbering of the LEDs corresponds to the numbering of the channels.

Data mapping

DATA	BYTE	Bit 7	Bit 6	Bit 5	Bit 4	Bit 3	Bit 2	Bit 1	Bit 0
Input	n	DI 7	DI 6	DI 5	DI 4	DI 3	DI 2	DI 1	DI 0

n = Offset of input data; depending on extension of station and the corresponding fieldbus.

m = Offset of output data; depending on extension of station and the corresponding fieldbus.

With PROFIBUS, PROFINET and CANopen, the I/O data of this module is localized within the process data of the whole station via the hardware configuration tool of the fieldbus master.

With DeviceNet™, EtherNet/IP™ and Modbus TCP a detailed mapping table can be created with the TURCK configuration tool I/O-ASSISTANT.

Pin assignment at corresponding base module:

DATA	BYTE	Bit 7	Bit 6	Bit 5	Bit 4	Bit 3	Bit 2	Bit 1	Bit 0
------	------	-------	-------	-------	-------	-------	-------	-------	-------

BL67-B-8M8									
Input	n	C7 P4	C6 P4	C5 P4	C4 P4	C3 P4	C2 P4	C1 P4	C0 P4
BL67-B-4M12									
Input	n	C3 P2	C2 P2	C1 P2	C0 P2	C3 P4	C2 P4	C1 P4	C0 P4
BL67-B-4M12-P									
Input	n	C3 P2	C3 P4	C2 P2	C2 P4	C1 P2	C1 P4	C0 P2	C0 P4
BL67-B-1M23(-VI)									
Input	n	C0 P8	C0 P7	C0 P6	C0 P5	C0 P4	C0 P3	C0 P2	C0 P1

C... = slot no., P... = pin no.