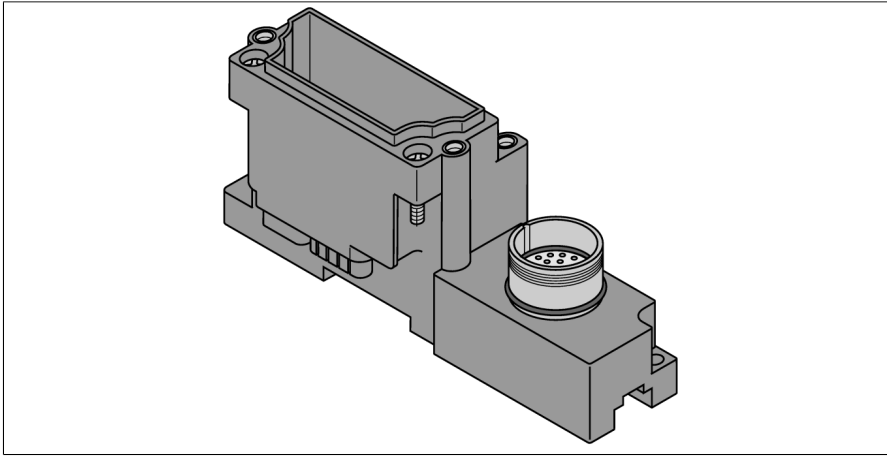


# BL67 base module

## 1 × M23 Connector, 12-pin

### BL67-B-1M23



- Sensörler ve aktüatörler için pasif bağlantı bileşenleri
- Kablolulu durumda elektronik parçaların hızlı şekilde değiştirilmesi
- Mekanik kodlama, yanlış elektronik modüllerin yanlışlıkla takılmasını önler
- Koruma sınıfı IP67
- M23 connection technology
- 12-pin
- 1 port

#### Kablo Bağlantı Şeması



Tip	BL67-B-1M23
Tanit. no.	6827213

Housing material	Polycarbonate, flame resistance (PC V0)
Muhafaza rengi	gri (RAL 7015)
Tightening torque fixing screw	0.9...1.2 Nm
DIN rail mounting	yes, Attention: Offset
Direct mounting	Two mounting holes, 6

Konektör A	Dişi flanş, M23 × 1, Vidalanabilir
Flange housing	metal, CuZn, Nikel kaplama
Contact carriers	plastik, PBT UL94-V0, Beyaz
Kontaklar	Metal, CuZn, Altın kaplama
Screw-in thread seal	fluor caoutchouc, FPM
Insulation resistance	≥ 10 <sup>12</sup> Ω
İletme direnci	≤ 3 mΩ
Kirlilik derecesi	3/2
Pim sayısı	12
Ampacity	8A contacts 10, 11, 12 and 4 A remaining contacts
Nominal voltaj [U <sub>max</sub> ]	300 V
Koruma tipi	IP67, yalnızca vidalarla sıkılmış veya takılı

#### İşlevsel prensip

The pin resp. signal assignment results from the combination with an electronic module. You find the pin configuration and the wiring diagrams on the data sheet of the corresponding electronic module.

BL67 base modules are connected to the right of the gateway, using two screws for each module. A DIN rail is not required. This way, a compact and stable unit is built. The unit can now be mounted on a DIN rail or directly on the machine.

The field devices are connected to the base modules which are available with different connection technology (M8, M12, M23 and 7/8" ).

#### Note

Further technical data like temperature range are determined by the electronic modules and can be found on the data sheets.