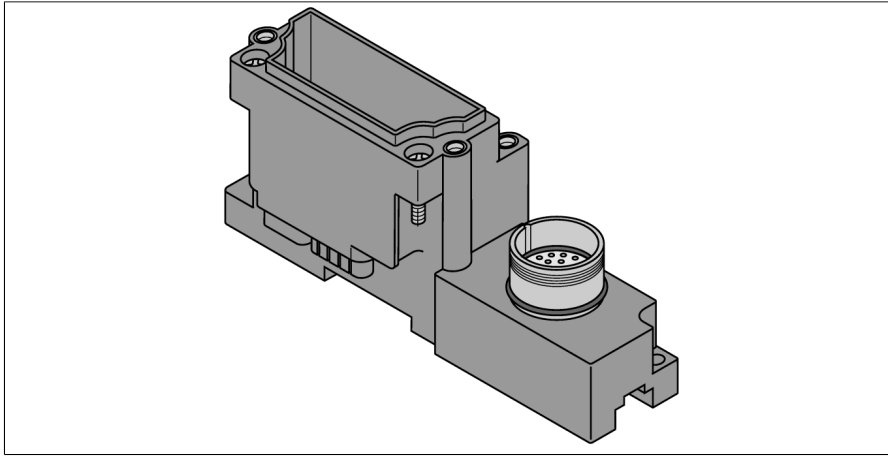


BL67 base module

1 × M23 Connector, 12-pin

BL67-B-1M23-VI



- Sensörler ve aktüatörler için pasif bağlantı bileşenleri
- Kablolu durumda elektronik parçaların hızlı şekilde değiştirilmesi
- Mekanik kodlama, yanlış elektronik modüllerin yanlışlıkla takılmasını önler
- Koruma sınıfı IP67
- M23 connection technology
- 12-pin
- 1 port

Kablo Bağlantı Şeması



| | |
|------------|----------------|
| Tip | BL67-B-1M23-VI |
| Tanit. no. | 6827290 |

| | |
|--------------------------------|---|
| Housing material | Polycarbonate, flame resistance (PC V0) |
| Muhafaza rengi | gri (RAL 7015) |
| Tightening torque fixing screw | 0.9...1.2 Nm |
| DIN rail mounting | yes, Attention: Offset |
| Direct mounting | Two mounting holes, 6 |

| | |
|------------------------------------|---|
| Konektör A | Dişi flanş, M23 × 1, Vidalanabilir |
| Flange housing | metal, CuZn, Nikel kaplama |
| Contact carriers | plastik, PBT UL94-V0, Beyaz |
| Kontaklar | Metal, CuZn, Altın kaplama |
| Screw-in thread seal | flor caoutchouc, FPM |
| Insulation resistance | ≥ 10 ¹² Ω |
| İletme direnci | ≤ 3 mΩ |
| Kirlilik derecesi | 3/2 |
| Pim sayısı | 12 |
| Ampacity | 8A contacts 10, 11, 12 and 4 A remaining contacts |
| Nominal voltaj [U _{max}] | 300 V |
| Koruma tipi | IP67, yalnızca vidalarla sıkılmış veya takılı |

İşlevsel prensip

The pin resp. signal assignment results from the combination with an electronic module. You find the pin configuration and the wiring diagrams on the data sheet of the corresponding electronic module.

BL67 base modules are connected to the right of the gateway, using two screws for each module. A DIN rail is not required. This way, a compact and stable unit is built. The unit can now be mounted on a DIN rail or directly on the machine.

The field devices are connected to the base modules which are available with different connection technology (M8, M12, M23 and 7/8").

Note

Further technical data like temperature range are determined by the electronic modules and can be found on the data sheets.