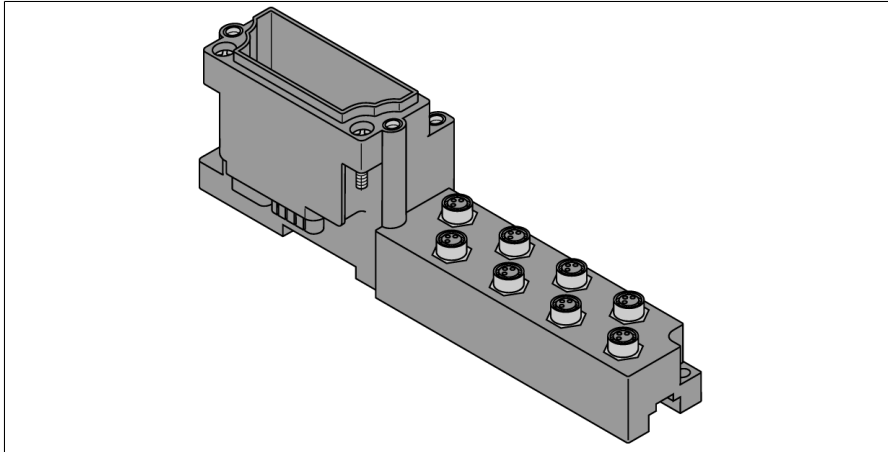


PRELIMINARY

BL67 base module  
M8 connectors  
BL67-B-8M8-4-P



- Sensörler ve aktüatörler için pasif bağlantı bileşenleri
- Kablolu durumda elektronik parçaların hızlı şekilde değiştirilmesi
- Mekanik kodlama, yanlış elektronik modüllerin yanlışlıkla takılmasını önler
- Koruma sınıfı IP67
- M8 connection technology
- 4-pin

**İşlevsel prensip**

The pin resp. signal assignment results from the combination with an electronic module. You find the pin configuration and the wiring diagrams on the data sheet of the corresponding electronic module.

BL67 base modules are connected to the right of the gateway, using two screws for each module. A DIN rail is not required. This way, a compact and stable unit is built. The unit can now be mounted on a DIN rail or directly on the machine.

The field devices are connected to the base modules which are available with different connection technology (M8, M12, M23 and 7/8" ).

**Note**

Further technical data like temperature range are determined by the electronic modules and can be found on the data sheets.

Tip	BL67-B-8M8-4-P
Tanit. no.	6827384
Housing material	Polycarbonate, flame resistance (PC V0)
Muhafaza rengi	gri (RAL 7015)
Tightening torque fixing screw	0.9...1.2 Nm
DIN rail mounting	yes, Attention: Offset
Direct mounting	Two mounting holes, 6
Pim sayısı	4