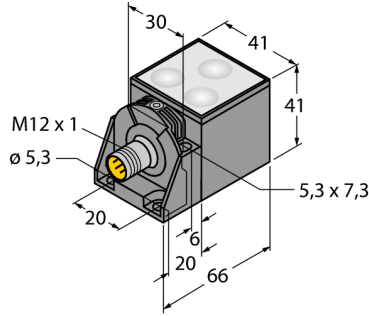


# LED Makine Işıđı

## Mountable cube light

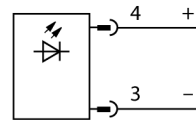
### ML-CA40G-9X3-CWW-H1141



- Cube
- Front mounting
- Housing material, die-cast aluminium
- Weight 200 g
- Resistant to coolants and lubricants
- Protection class IP67
- Operating temperature: -40...+50° C
- Safety glass
- Number of LEDs: 3
- Diffuse illumination
- Light color, cool white
- Color temperature approx. 6300 K
- Illuminance at 1 m approx. 108 lx
- Beam angle: 120°
- Service life: > 50,000 operating hours
- LED protection through integrated thermal management
- Operating voltage: 24 VDC
- Current consumption: 150 mA at 24 V
- Power consumption: 4 W
- M12 x 1 connector
- Pin assignment: 3 = 0V, 4 = +24V
- Direct connection to PLC output

Tip	ML-CA40G-9X3-CWW-H1141
Tanit. no.	6914396
Purpose	LED makine ışığı
İşlev	alan lambası
İşık tipi	beyaz
Color temperature	6300K
Aperture angle degree	120 °
LED kullanım ömrü (L70)	50000 h
Çalışma voltajı	18...30 VDC
DC nominal çalışma akımı	≤ 150 mA
Input power	4 W
Tasarım	Dikdörtgen, CA40
Gövde malzemesi	Toz kaplama kalıp döküm alüminyum, AL
Window material	twin-pane safety glass, clear
Elektriksel bağlantı	Konektörler, M12 x 1
Ortam sıcaklığı	-40...+50 °C
IP Derecesi	IP67

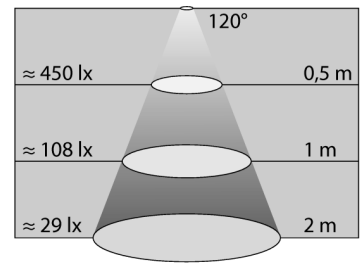
#### Kablo Bağlantı Şeması



#### İşlevsel prensip

The TURCK machine lights can be installed directly in and on machines thanks to their rugged housing. They are potted and resist cooling lubricants as well as aggressive cleaning agents. Rugged industrial M12 connectors ensure a sturdy connection. The standardized pinout allows the machine lights to be controlled directly via PLC outputs. 24 VDC supply also enables control via passive junctions and fieldbus stations. Targeted on and off switching reduces energy costs. No costs arise for further hardware. The illuminance is indicated in lux (lx). For comparison, at a distance of 1 m, the illuminance of a candle is 1 lx and the normal office/room lighting is 500 lx.

#### Aydınlık



**Aksesuarlar**

Tip kodu	İdent no.	Ölçekli çizim
ML-CA40-MP1	6914436	Angle bracket for CA40 