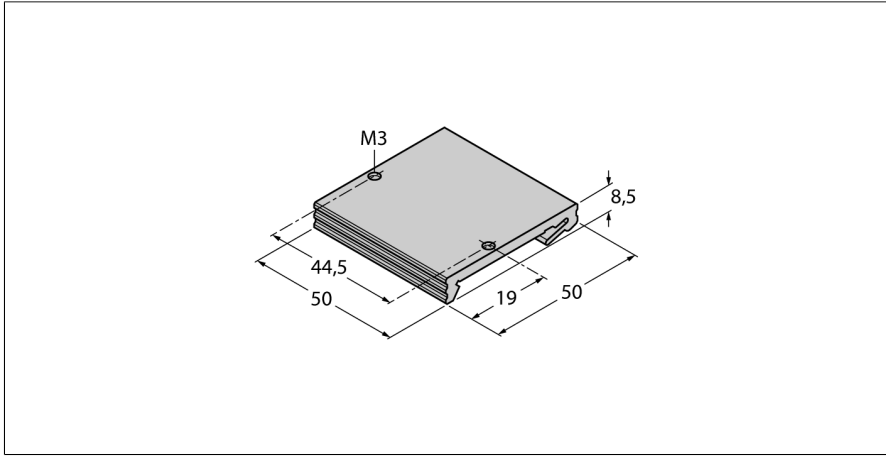


# Fieldbus sistemleri için aksesuarlar

## Mounting Adapter for Fxx20 Modules of the S Design

### FDN20-BKT-DIN



- DIN rail bracket fits small Fxx20 I/O stations
- Mounts onto standard 35 mm DIN rail
- Kit includes bracket and 2 mounting screws
- Protection class IP20

Tip	FDN20-BKT-DIN
Tanit. no.	6931105
Boyutlar (W x L x H)	50 x 50 x 8.5 mm
Housing material	Aluminium
IP Derecesi	IP20
teslimata dahildir	bracket and 2 mounting screws