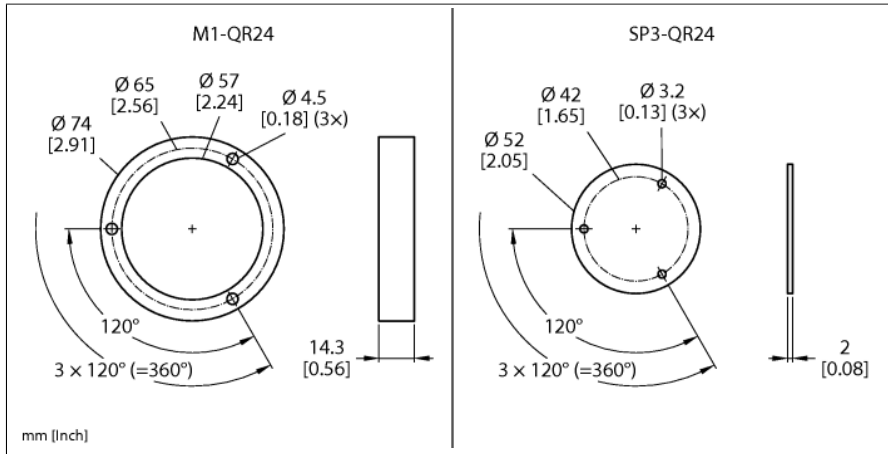


# Accessories

## Protecting Ring and Shield Plate

### For Encoders RI-QR24

### M4-QR24



- Positioning element
- Hollow shaft, internal diameter 6 mm
- Incl. mounting option for shaft adapter

Type	M4-QR24
ID	1590919
Housing material	Aluminium