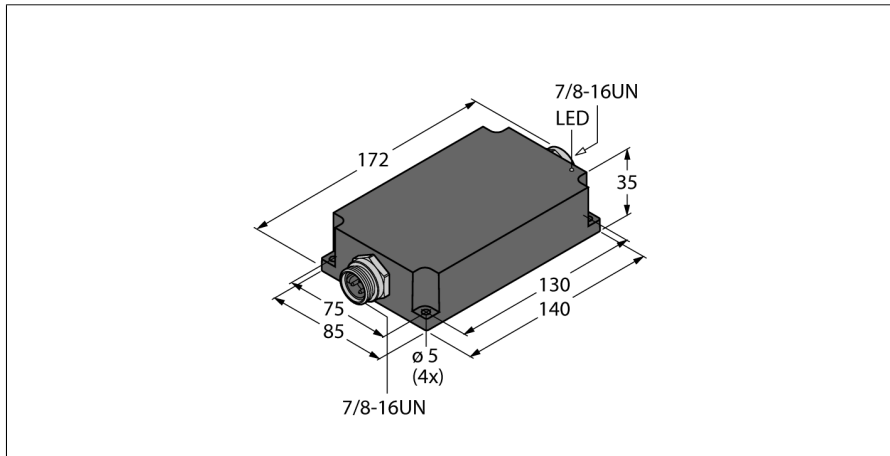
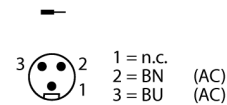


Compact power supply module in IP67
24 VDC output voltage - 2 A output current
PSU67-11-2420/M

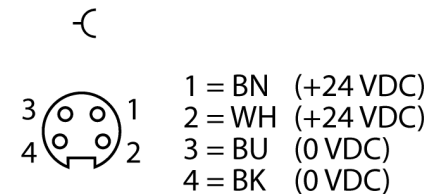


- Broad temperature range
- Status LED
- AC and DC wide-range input
- Mains buffering up to 50 ms
- High efficiency
- No-load and short-circuit proof
- Natural air cooling

7/8" Input Assignment



7/8" Output Assignment



Type designation	PSU67-11-2420/M
Ident-No.	6884140
Ident-No (TUSA)	M6884140
Nominal voltage	Universal voltage supply unit
Operating voltage	100...240 VAC
Frequency	50...60 Hz
Operating voltage range	100...300 VDC
Mains buffering	Ui: 100...240 VAC/ 50 ms
Nominal output voltage	24 V
Nominal current	2 A
Overload protection	105-130 %
Parallel mode	no
Ripple	240 mV
Short-circuit behaviour	Current limiting
Approval	CE cULus geprüft nach DIN EN 60950-1 (VDE 0805-1)
Operational readiness	LED green
Protection class	IP67
Ambient temperature	-25...+60 °C
Storage temperature	-40...+85 °C
Derating	2 % / K (50 °C)
Dimensions	85 x 172 x 35 mm
Weight	833 g
Housing material	Glass fiber reinforced polyamide (PA6-GF25)
Electrical connection	Connector
MTTF	87 years
MTTF note	acc. to SN 29500 (Ed. 99) 40 °C

Compact power supply module in IP67
24 VDC output voltage - 2 A output current
PSU67-11-2420/M



Industrial
Automation

Wiring accessories

Type code	Ident-No.	Description	
RKM 30-2M	U2027	Supply cable, 7/8" female connector, straight, 3-pin, cable length: 2 m, jacket material: PVC, yellow; other cable lengths and variants available	
B4131-0/9	6914501	Field-wireable female connector, 7/8", straight, 3-pin, screw terminal connection, cable feedthrough 6.0 to 8.0 mm, core cross-section/terminal capacity 0.14 to 1.0 mm ² , plastic housing, metal nut	
B4231-0/9	6901114	Field-wireable female connector, 7/8", angled, 3-pin, screw terminal connection, cable feedthrough 6.0 to 8.0 mm, core cross-section/terminal capacity 0.14 to 1.5 mm ² , plastic housing, metal nut	
RSM 40-2M	U2084-1	Power cable, 7/8" male connector, straight, 4-pin, cable length: 2 m, jacket material: PVC, yellow; other cable lengths and variants available	
RSM 40 RKM 50-2M/ BL67	U-19553	Supply line, 7/8" male connector, straight, 4-pin on 7/8" coupling, straight, 5-pin, cable length: 2 m, jacket material: PVC, yellow; other cable lengths and variants available	

Compact power supply module in IP67
24 VDC output voltage - 2 A output current
PSU67-11-2420/M



Wiring accessories

Type code	Ident-No.	Description	
RSM-2RKM50	6914950	Power supply T-splitter, 1 x 7/8" male, 2 x 7/8" female, 5-pin, ampacity: 9 A, Rated voltage: 250 V, Temperature: -40 °C ... +80 °C, wired in parallel	
BS4141-0/13.5	6914510	Field-wireable male connector, 7/8", straight, 4-pin, screw terminal connection, cable feedthrough 10.0 to 12.0 mm, core cross-section/terminal capacity 0.14 to 1.0 mm ² , plastic housing, metal nut	
BS4241-0/9	6901020	Field-wireable male connector, 7/8", angled, 4-pin, screw terminal connection, cable feedthrough 6.0 to 8.0 mm, core cross-section/terminal capacity 0.14 to 1.5 mm ² , plastic housing, metal nut	