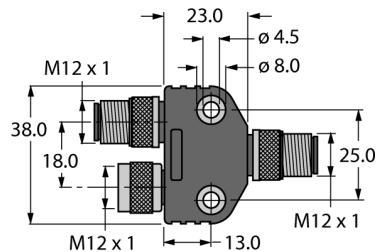


# 2-port Junction Systems

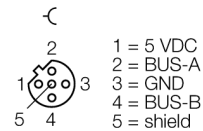
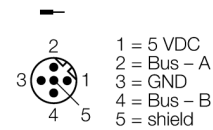
## PROFIBUS Y piece, fully shielded, 12 Mbps

### VB2-FSW-FKW-FSW-45

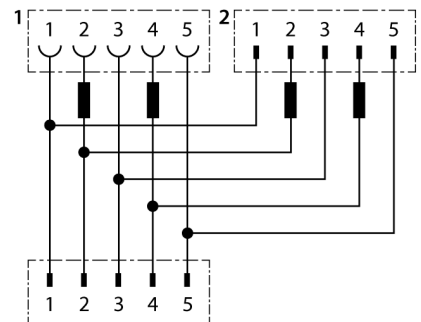


- Type: M12 adapter
- Y piece, 5-pin, reverse-keyed
- For use in PROFIBUS-DP applications
- Ampacity: 150mA (pins 2, 4), 4A (pins 1, 3, 5)
- Rated voltage: 150 V (pins 2, 4), 250 V (pins 1, 3, 5)
- Protection class IP67

#### Pin Assignment



#### Circuit Diagram



<b>Type designation</b>	VB2-FSW-FKW-FSW-45
Ident-No.	6996009
Ident-No (TUSA)	U0095-2
<b>Splitter</b>	Male, male - female, M12x1
Number of pins	5/5
Contacts	brass, CuZn, Gold-plated
Contact carriers	Plastic, TPU, Black
Grip	Plastic, TPU, Black
Coupling nut/screw	Brass, CuZn, Nickel-plated
Seal	Plastic, FKM/FPM
Protection class	IP67, A + B side screwed together
Mechanical lifespan	> 100 Mating cycles
Tightening torque	0.8 ... 1 Nm (observe max. torque of counter piece!)

<b>Electrical features at +20 °C</b>	
Current	4 A
Rated voltage	250 V
Forward resistance	≤ 5 mΩ
Insulation resistance	≥ 10 <sup>9</sup> Ω

<b>Ambient temperature</b>	
In motion	-40...+105°C

**2-port Junction Systems**  
**PROFIBUS Y piece, fully shielded, 12 Mbps**  
**VB2-FSW-FKW-FSW-45**



**Accessories**

Type code	Ident-No.	Description	
TORQUE-WRENCH-SET-AS	6936170	Torque wrench set; handles with adjustable torque 0.4-1.0 Nm, torque wrench for M8 (SW9), fork wrench for M12 (SW 14)	